

SUAL

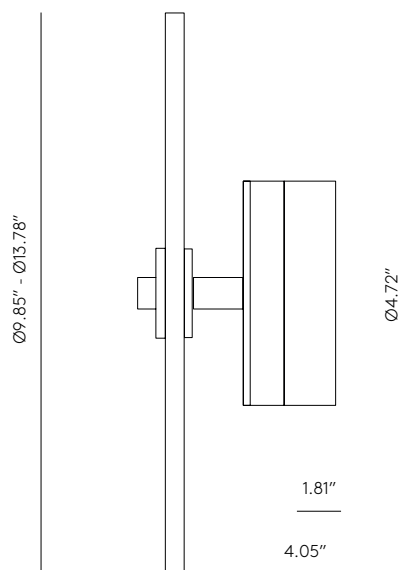
AU1255



Fornasevi
Design 2020

EN

MATERIALS	Steel
FINISHES	Metal Matt Black
SPECIFICATIONS	Integrated LED plate 9W 900lm 2700K TRIAC Dimmable 110-120 V/24V, 50/60 Hz
ENERGY LABEL	F
COMPATIBLE ACCESSORIES	Alabaster - 1094/30, Alabaster - 1096/25, Alabaster - 1096/35, Ceramic - 1097/20, Ceramic - 1097/30, Glass - 1223, Glass - 1226



ICONS



* Accessories image: Left: 1097/20 / Right: 1096/35