

RANG

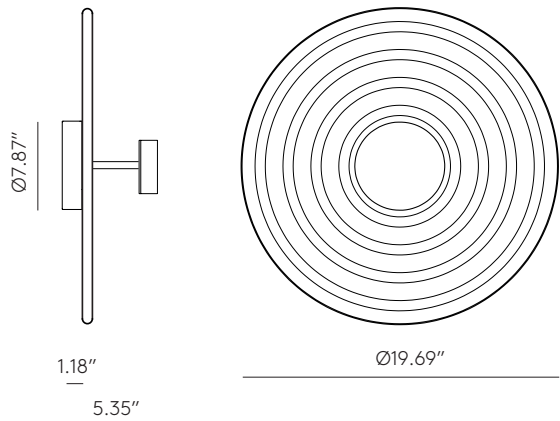
AU1093



JF Sevilla
Design 2022

EN

MATERIALS	Steel Resin	
FINISHES	Steel Matt Brass Black	Resin White Colour palette
SPECIFICATIONS	Integrated led 8.6 W 800lm 2700K TRIAC Dimmable 110-120V/24V, 50/60Hz	
ENERGY LABEL	F	



ICONS

